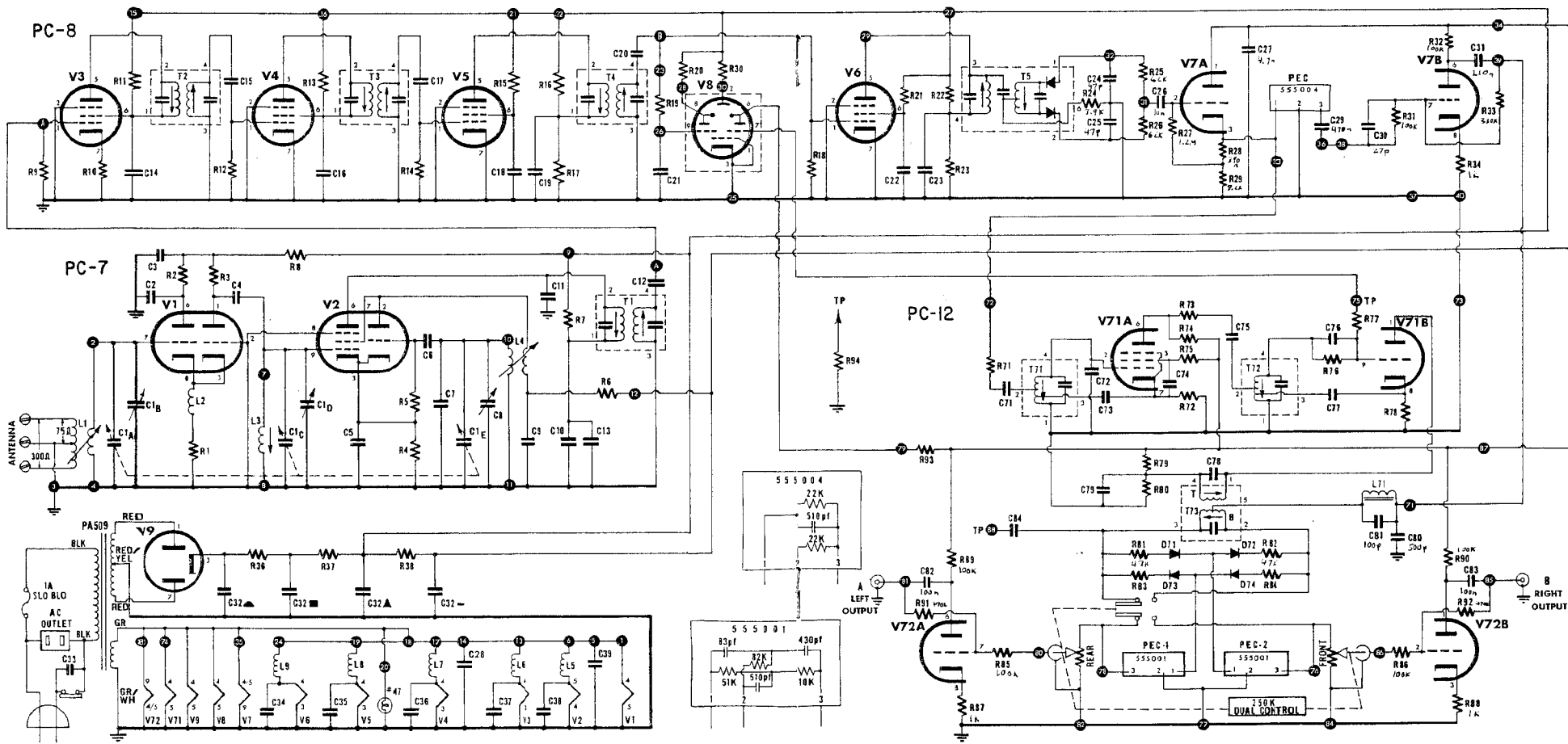


PARTS LIST FOR SCHEMATIC DIAGRAM

All resistors are 1/2 watt 10% unless otherwise noted.

R 1 58 ohms 112680	R 9 100,000 ohms 112104	R 20 100,000 ohms 112104	R 37 500 ohm 120501	R 84 47,000 ohms 5% 113473	C 5 .0047 mfd 225472	C 22 .0047 mfd 225473	C 38 180 mmfd 225181	D 71 1N541 542541	T 1 I.F. transformer 432001	V 1 6AQ5/ECC85 V 2 6AT8A V 3 6BA6 V 4 6BA6 V 5 6AU6/EF94 V 6 6AU6/EF94 V 7 12AX7/ECC83 V 8 6M801 V 9 6V4/E80 V 11 6BL8/ECC80 V 12 12AX7/ECC83
R 2 10,000 ohms 1 watt 5% 136103	R 10 33 ohms 112330	R 21 100,000 ohms 112104	R 38 470 ohm 1 watt 115471	R 85 100,000 ohms 112104	C 6 10 mfd NPO 225100	C 23 .0047 mfd 244471	C 39 180 mmfd 244471	0 72 1N541 542541	T 2 I.F. transformer 432001	V 6 6AU6/EF94 V 7 12AX7/ECC83 V 8 6M801 V 9 6V4/E80 V 11 6BL8/ECC80 V 12 12AX7/ECC83
R 3 10,000 ohms 1 watt 5% 136103	R 11 10,000 ohms 138103	R 22 47,000 ohms 5% 113473	R 71 18,000 ohms 112183	R 86 100,000 ohms 112104	C 7 2.55 mfd N220 240250	C 24 47 mmfd NPO 244471	C 71 500 mmfd 244471	0 74 1N541 542541	T 3 I.F. transformer 432001	V 6 6AU6/EF94 V 7 12AX7/ECC83 V 8 6M801 V 9 6V4/E80 V 11 6BL8/ECC80 V 12 12AX7/ECC83
R 4 390 ohms 1 watt 5% 112391	R 12 100,000 ohms 112104	R 23 47,000 ohms 5% 113473	R 72 240 ohms 5% 113241	R 87 1,000 ohms 112162	C 8 ceramic trimmer 229010	C 25 47 mmfd NPO 244471	C 72 220 mmfd 244103	L 1 antenna coil 412001	T 4 I.F. transformer 432001	V 6 6AU6/EF94 V 7 12AX7/ECC83 V 8 6M801 V 9 6V4/E80 V 11 6BL8/ECC80 V 12 12AX7/ECC83
R 5 47,000 ohms 1 watt 112391	R 13 10,000 ohms 138103	R 24 3,900 ohms 112392	R 73 22,000 ohms 112223	R 88 1,000 ohms 112164	C 9 .0047 mfd 225472	C 26 .01 mfd 244271	C 73 .012 mfd 244103	L 2 3.9 uH choke 423001	T 5 Discriminator transformer 432002	V 6 6AU6/EF94 V 7 12AX7/ECC83 V 8 6M801 V 9 6V4/E80 V 11 6BL8/ECC80 V 12 12AX7/ECC83
R 6 47,000 ohms 1 watt 112391	R 14 100,000 ohms 112104	R 25 62,000 ohms 5% 113623	R 74 47,000 ohms 5% 113473	R 89 100,000 ohms 112104	C 10 .0047 mfd 225472	C 27 .0047 mfd 244271	C 74 .0058 mfd 244471	L 3 mixer coil 412004	T 7 15 K.C. transformer 432002	V 6 6AU6/EF94 V 7 12AX7/ECC83 V 8 6M801 V 9 6V4/E80 V 11 6BL8/ECC80 V 12 12AX7/ECC83
R 7 1,000 ohms 1 watt 115102	R 15 330,000 ohms 112334	R 26 62,000 ohms 5% 113623	R 75 150,000 ohms 112154	R 90 100,000 ohms 112104	C 11 2.2 mfd 240220	C 28 .0047 mfd 244271	C 75 500 mmfd 244471	L 4 oscillator coil 412004	T 8 19 K.C. transformer 432003	V 6 6AU6/EF94 V 7 12AX7/ECC83 V 8 6M801 V 9 6V4/E80 V 11 6BL8/ECC80 V 12 12AX7/ECC83
R 8 1,000 ohms 1 watt 115102	R 16 220,000 ohms 112334	R 27 1.2 megohms 112125	R 76 1.2 megohms 112125	R 91 470,000 ohms 112474	C 12 47 mfd 244271	C 29 47 mfd 244271	C 76 .001 mfd 244271	L 5 heater choke 423002	T 9 38 K.C. transformer 432004	V 6 6AU6/EF94 V 7 12AX7/ECC83 V 8 6M801 V 9 6V4/E80 V 11 6BL8/ECC80 V 12 12AX7/ECC83
	R 17 62,000 ohms 5% 113623	R 28 390 ohms 112391	R 77 3.3 megohms 112335	R 92 470,000 ohms 112474	C 13 180 mmfd 225473	C 30 27 mfd 244271	C 77 .0033 mfd 244271	L 6 heater choke 423002	T 10 19 K.C. transformer 432003	V 6 6AU6/EF94 V 7 12AX7/ECC83 V 8 6M801 V 9 6V4/E80 V 11 6BL8/ECC80 V 12 12AX7/ECC83
	R 18 100,000 ohms 112104	R 29 8,200 ohms 112822	R 78 2,200 ohms 112224	R 93 470,000 ohms 112474	C 14 .0047 mfd 244271	C 31 22 mfd @ 200 v. 244271	C 78 .0015 mfd 244271	L 7 heater choke 423002	T 11 15 K.C. transformer 432002	V 6 6AU6/EF94 V 7 12AX7/ECC83 V 8 6M801 V 9 6V4/E80 V 11 6BL8/ECC80 V 12 12AX7/ECC83
	R 19 3.3 megohms 112335	R 30 12,000 ohms 112123	R 79 220,000 ohms 112334	R 94 1.2 megohms 112125	C 15 47 mmfd NPO 225473	C 32 10/40/20/20 mfd @ 350 v. 296127	C 79 .01 mfd 245103	L 8 heater choke 423002	T 12 19 K.C. transformer 432003	V 6 6AU6/EF94 V 7 12AX7/ECC83 V 8 6M801 V 9 6V4/E80 V 11 6BL8/ECC80 V 12 12AX7/ECC83
		R 31 100,000 ohms 112104	R 80 150,000 ohms 112154	C 1 1 ganged tuning capacitor 219450	C 16 .0047 mfd 244471	C 33 .02 mfd 227203	C 80 500 mmfd 245103	L 9 heater choke 423002	T 13 38 K.C. transformer 432004	V 6 6AU6/EF94 V 7 12AX7/ECC83 V 8 6M801 V 9 6V4/E80 V 11 6BL8/ECC80 V 12 12AX7/ECC83
		R 32 100,000 ohms 112104	R 81 47,000 ohms 5% 113473	C 2 2 180 mmfd 225181	C 17 47 mmfd NPO 244471	C 34 .0047 mfd 225473	C 81 100 mfd 245104	L 10 heater choke 423002	T 14 19 K.C. transformer 432003	V 6 6AU6/EF94 V 7 12AX7/ECC83 V 8 6M801 V 9 6V4/E80 V 11 6BL8/ECC80 V 12 12AX7/ECC83
		R 33 330,000 ohms 112334	R 82 47,000 ohms 5% 113473	C 3 180 mmfd 225181	C 18 .0047 mfd 225473	C 35 .0047 mfd 225473	C 82 .1 mfd 245104	L 11 heater choke 423002	T 15 38 K.C. transformer 432004	V 6 6AU6/EF94 V 7 12AX7/ECC83 V 8 6M801 V 9 6V4/E80 V 11 6BL8/ECC80 V 12 12AX7/ECC83
		R 34 1,000 ohms 112104	R 83 47,000 ohms 5% 113473	C 4 47 mmfd NPO 244471	C 19 .0047 mfd 225473	C 36 .0047 mfd 225473	C 83 .1 mfd 245104	L 12 heater choke 423002	T 16 19 K.C. transformer 432003	V 6 6AU6/EF94 V 7 12AX7/ECC83 V 8 6M801 V 9 6V4/E80 V 11 6BL8/ECC80 V 12 12AX7/ECC83
		R 35 500 ohms 112104		C 5 .0047 mfd 225472	C 20 10 mfd NPO 225100	C 37 .0047 mfd 225473	C 84 18 mmfd 247181	L 13 heater choke 423002	T 17 38 K.C. transformer 432004	V 6 6AU6/EF94 V 7 12AX7/ECC83 V 8 6M801 V 9 6V4/E80 V 11 6BL8/ECC80 V 12 12AX7/ECC83



volume control—dual,
250,000 ohms each
section with push-
pull switch — 180254