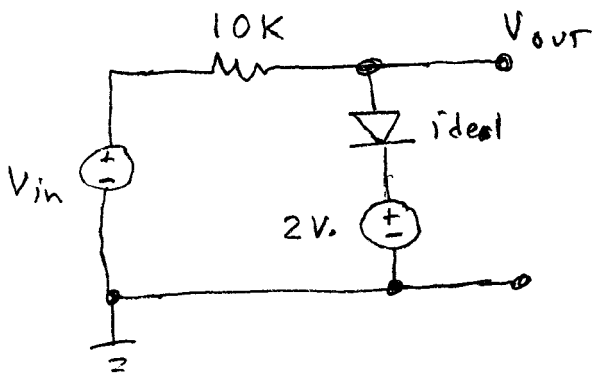


Name _____

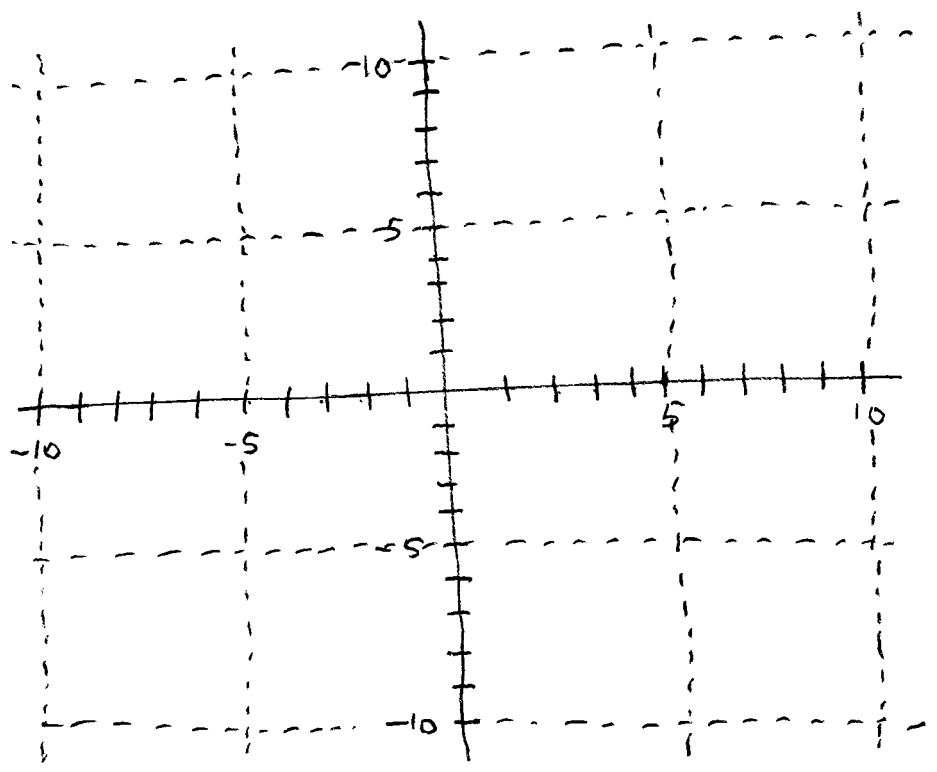
What is V_{out} ?

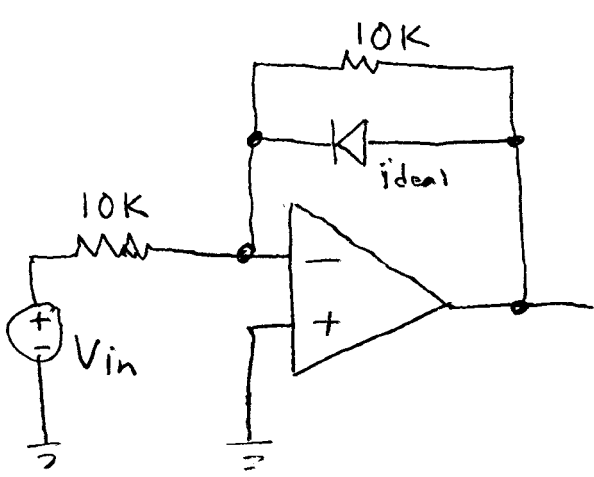
Fill in the chart:



V_{in}	V_{out}
-10	
-5	
-2	
-1	
0	
1	
2	
5	
10	

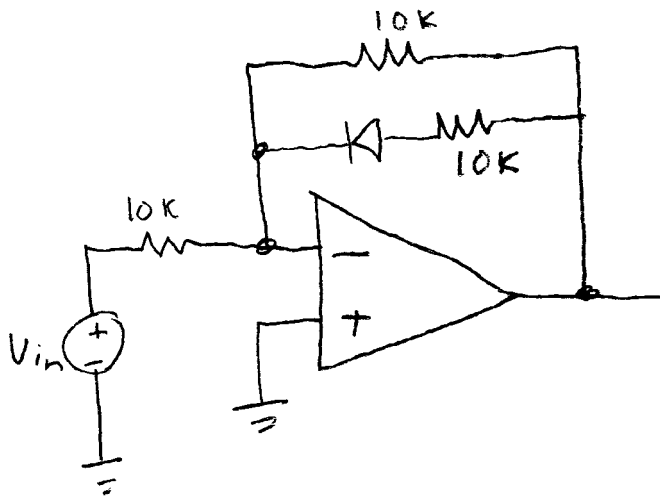
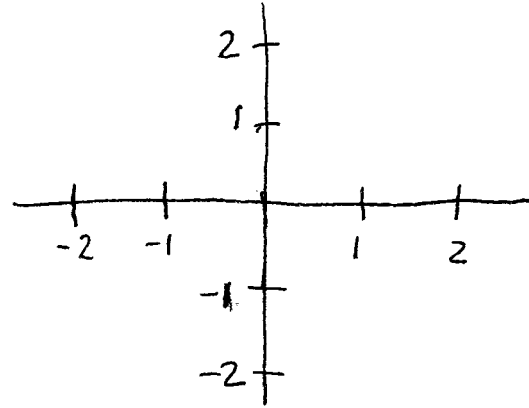
Plot V_{out} vs. V_{in}





V_{in}	V_{out}
-1	
0	
+1	

Plot V_{out} vs. V_{in}



V_{in}	V_{out}
-1	
0	
1	

Plot V_{out} vs. V_{in}

