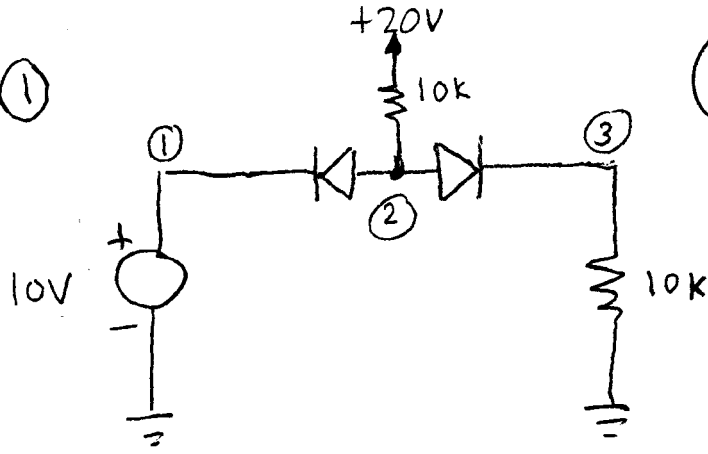


①



⑤

Name \_\_\_\_\_

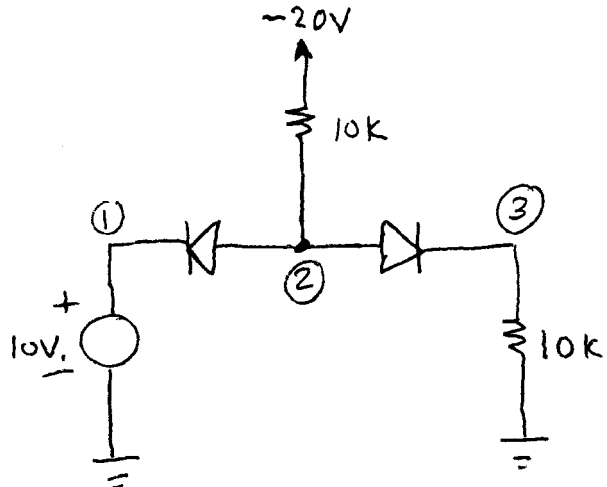
$V_1 = 10$

$V_2 = 10$

$V_3 = 10$

Did not record grades

②

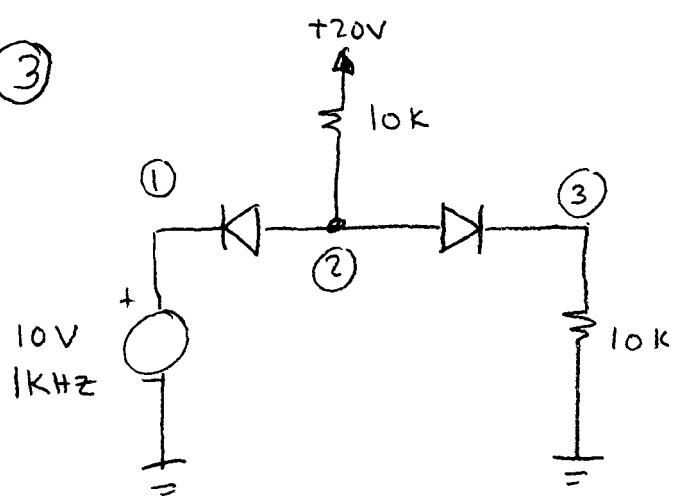


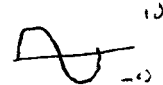
$V_1 = 10$

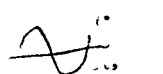
$V_2 = -20$

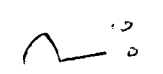
$V_3 = 0$

③

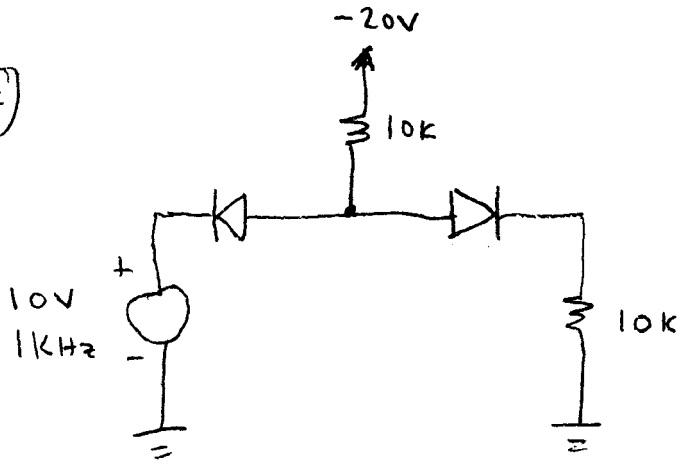


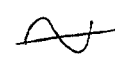
$V_1 =$   10V 1kHz

$V_2 =$   10V 1kHz

$V_3 =$   ← rectified

④

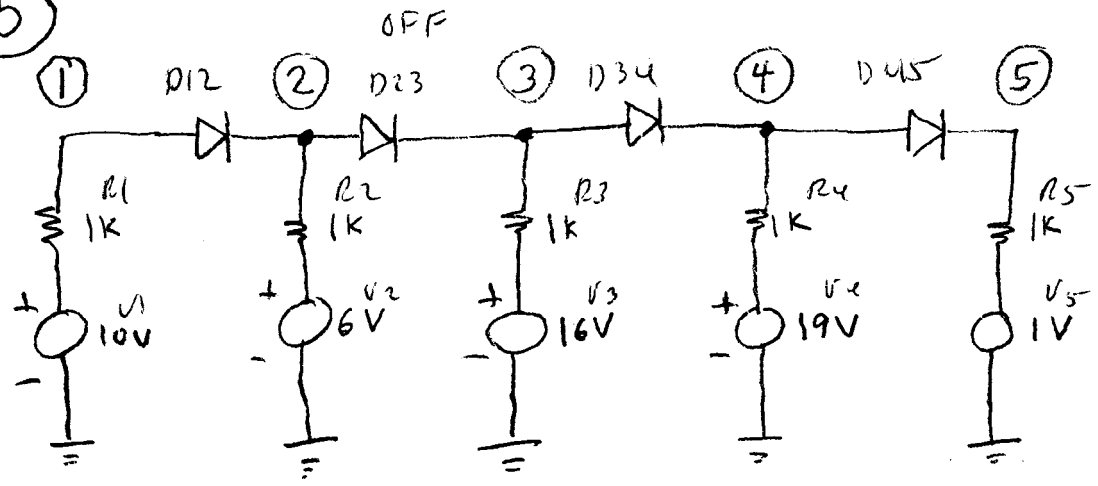


$V_1 =$  

$V_2 = -20$

$V_3 = 0$

5



$V_1$	8
$V_2$	8
$V_3$	12
$V_4$	12
$V_5$	12

8,3  
7,6  
12,6  
12,0  
11,3

$I_{D1}$  .0016 ) ON  
 $I_{D2}$  -10f ← OFF  
 $I_{D3}$  .0033 ) ON  
 $I_{D4}$  .01