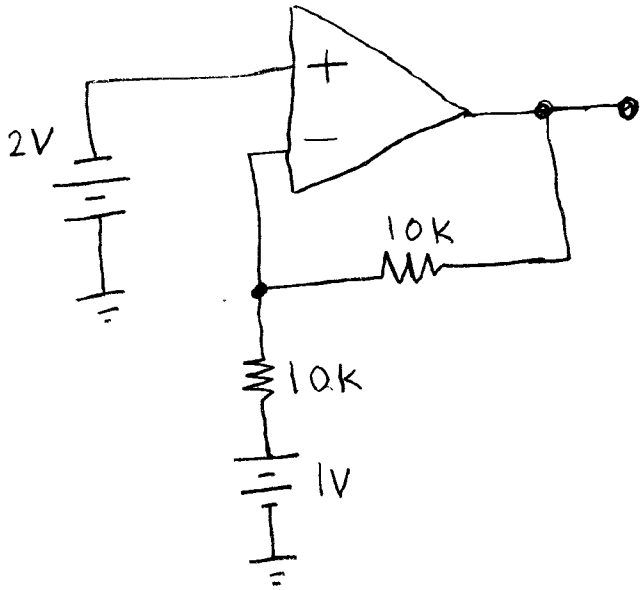


Name _____

①



②

