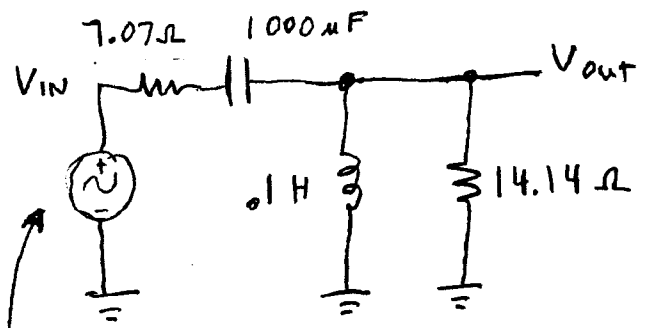


Name \_\_\_\_\_

Find the phasor representation of the circuit,

and  $V_{in}$  and  $V_{out}$  in both phasor and time-domain representations.



$$1 \cos(141.4t + \frac{\pi}{2})$$

---

Hint:  $\sqrt{2} = 1.414$        $\frac{1}{\sqrt{2}} = 0.707$

---

Phasor representation of circuit

$V_{in}$  (time domain) =

$V_{in}$  (phasor) =

$V_{out}$  (time domain) =

$V_{out}$  (phasor) =