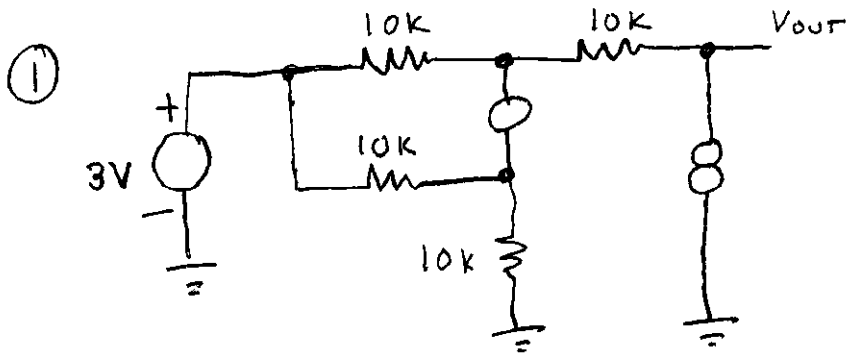


What is V_{out} ?

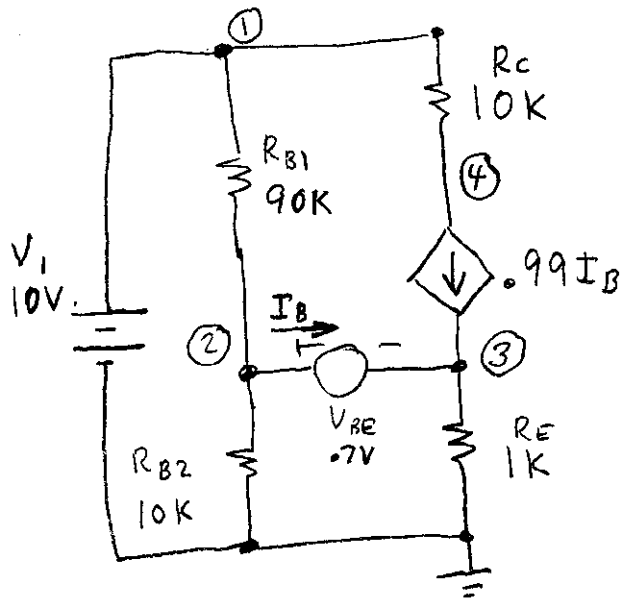
Name _____



② A circuit delivers 12 volts into an open circuit,
and 0.1 Amp into a short circuit.

Give two possible circuits to do this.

3



Find the voltage at node 3.

Hint:

Simplify the circuit as much as you can.

(Find the Thevenin equivalent circuit of $V_1, V_{BE}, R_{B1}, R_{B2}$)

Then write the node equation for node 3.