

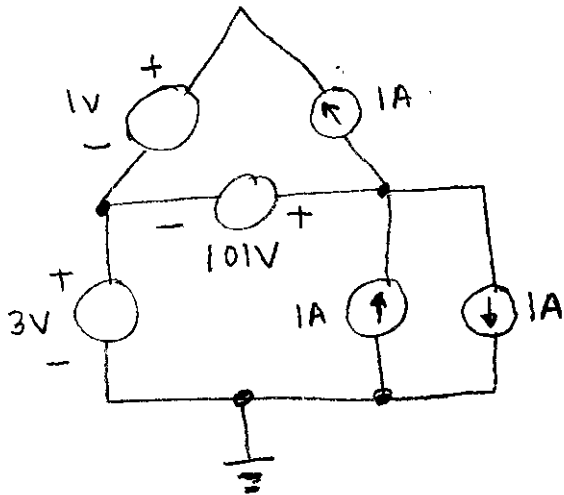
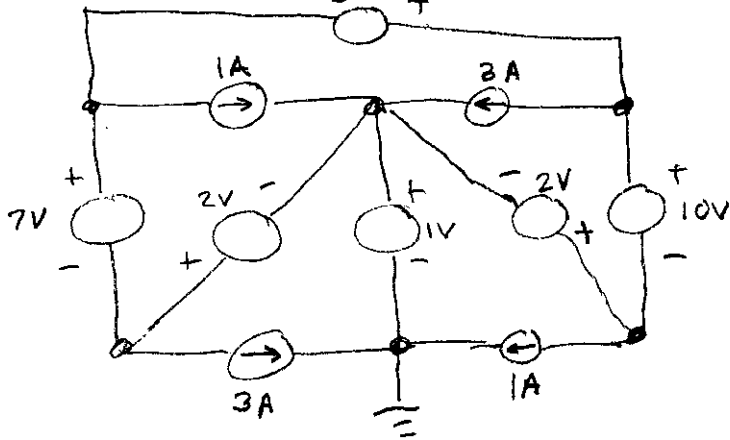
Are these circuits valid?

If so -- show all node voltages and branch currents, on the schematic

If not -- why not? (which rule is violated)

and indicate at least one branch current

-3V or node voltage that cannot be calculated.



Find the node equations,
and solve for all node voltages

Name _____

