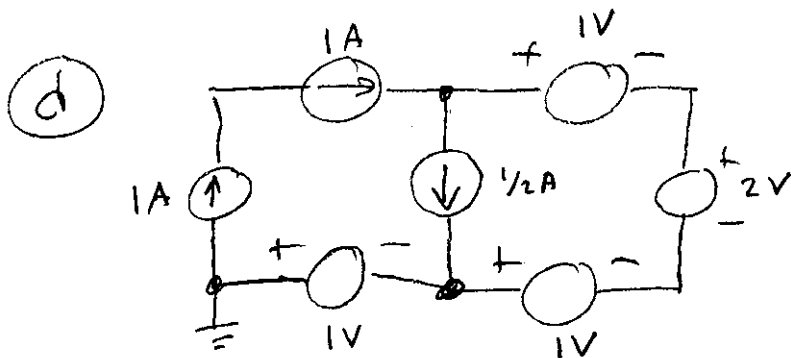
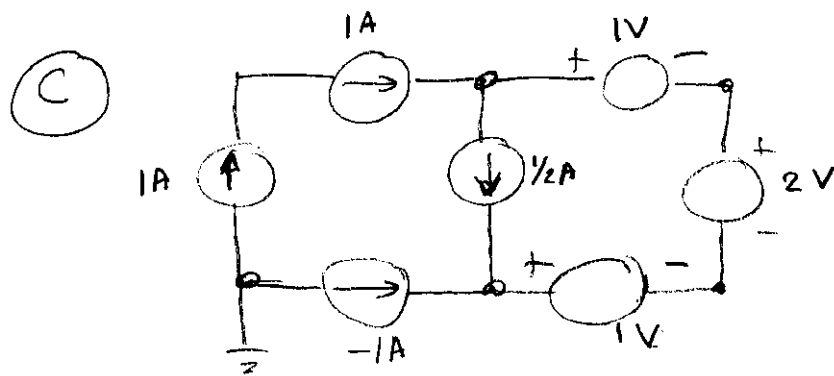
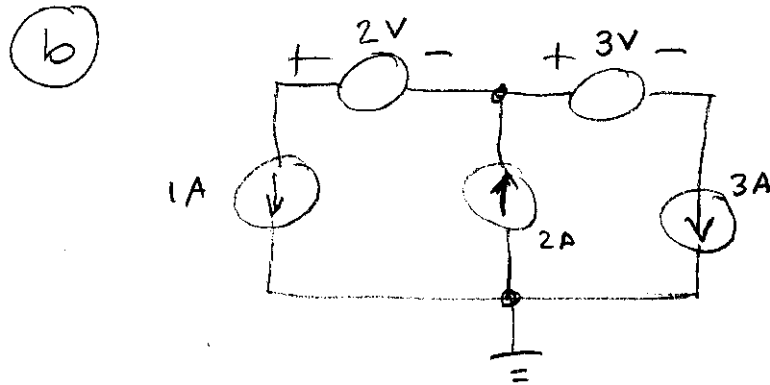
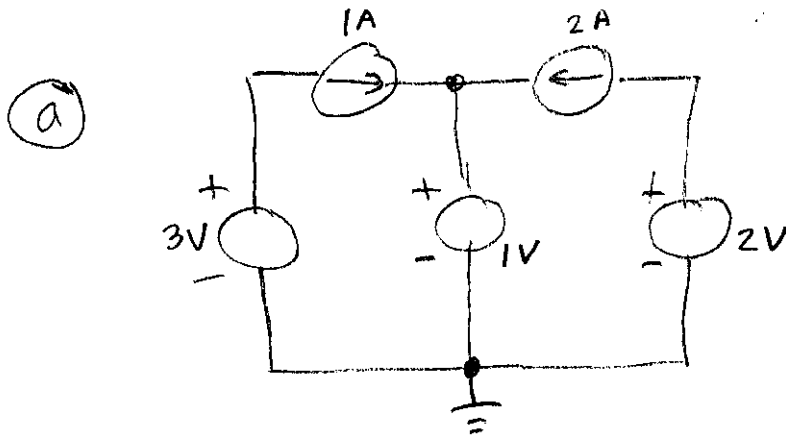


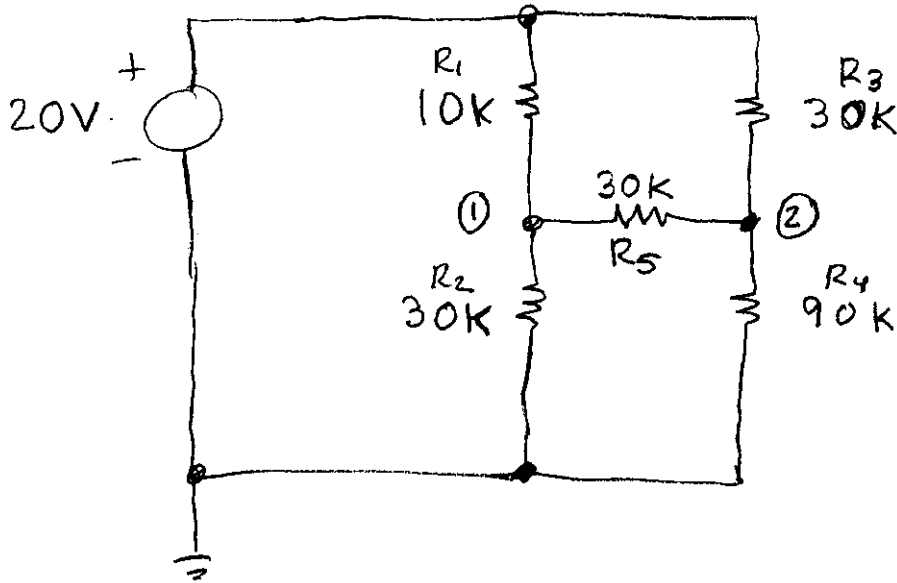
Name _____

Are these circuits valid?

If not, why not?
If valid, solve it for all node voltages and branch currents.

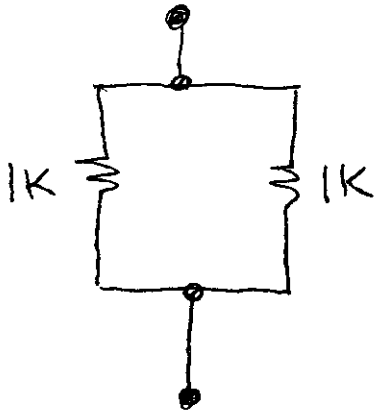


Write the node equations for nodes ① and ② then find all of the node voltages, and the current through R_5 .



③ What is the equivalent resistance?

①



②



If you know the formula, use it.

Otherwise, Apply a 1 volt source
and solve for current. Then use Ohm's law.